

Crowd barriers

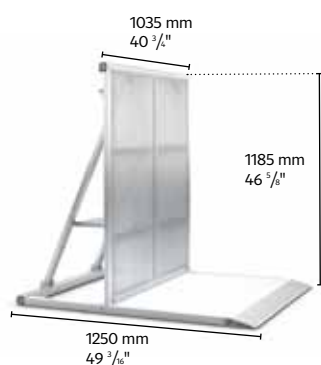
Back off!





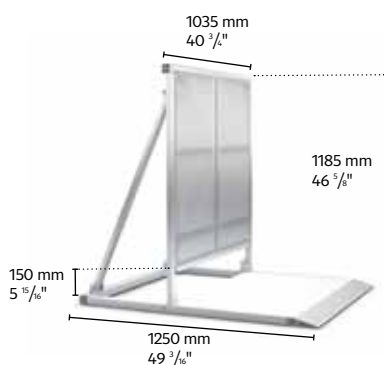
Crowd barriers

- Modular aluminium crowd barrier series
- Rigid construction compliant to the highest safety standards
- Vibration-free hinges for reduced volume storage
- 3-point locking with simple one bolt fits all assembly
- Special designed hinges for quick & easy set-up
- Range of standard & special modules
- Made of EN AW 6082-T6 aluminium alloy
- Barriers come with one set of connection material
- "Finger safe" perforated sheet with $\varnothing = 8$ mm holes



Crowd barrier-1m standard unit

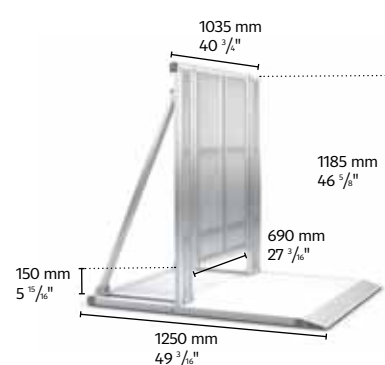
Code	kg	lbs
CWB-B	41.2	(90.83)



Crowd barrier-1m cable cross

Code	kg	lbs
CWB-BC	37.2	(82.01)

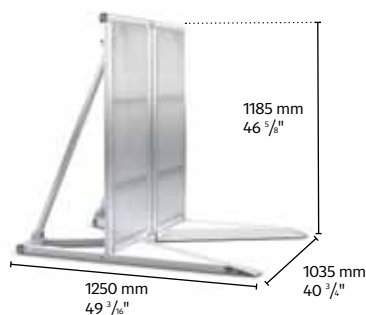
Opening for cable access



Crowd barrier-Gate access

Code	kg	lbs
CWB-DC	50.1	(110.45)

Equipped with lockable door



Crowd barrier-Variable corner

Code	kg	lbs
CWB-VC	36.4	(82.25)

Adjustable from 120° to 240°



Crowd barrier-Cart

Code	kg	lbs
CWB-V-CART	50.30	(110.87)

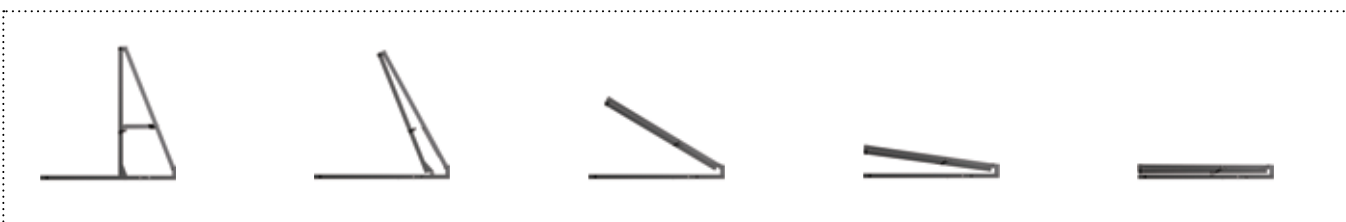
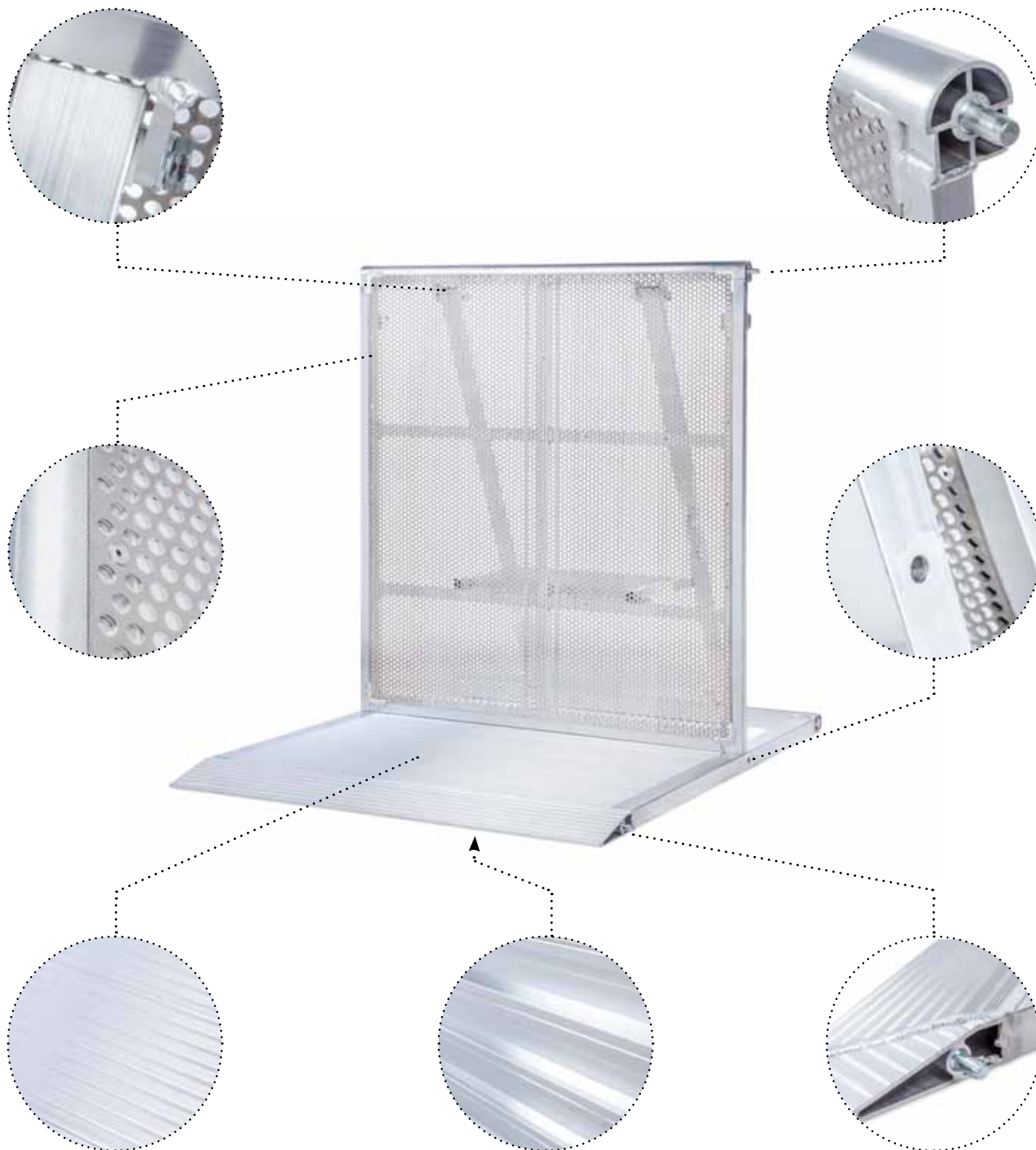
Carries up to 10 barriers
Wheels with brakes



Connection set

Code	kg	lbs
CWB-FC	0.50	(1.00)

Set of bolts



NOTE:

Our crowd barriers are tested under the following specifications:
 300kg/m² horizontal load applied on the upper horizontal chord of vertical wall • 750kg/m² vertical load (representing crowd weight) on the main bottom platform • Structural report is calculated in accordance with EN 1991-1-1, EN 1993-1-1, EN 1999-1-1 and EN 13200-3.